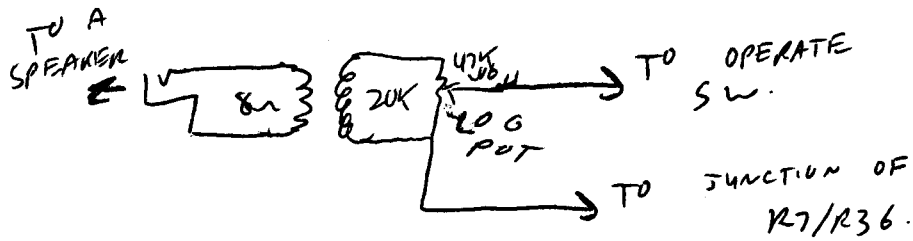


# Vera Rhodes Running Light

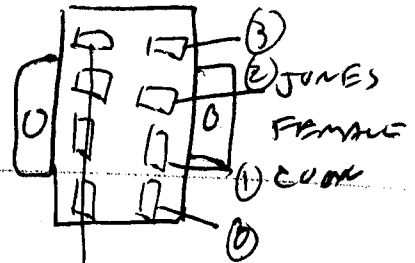
1/4

## MODIFICATIONS TO SWTPC COLOR ORGAN

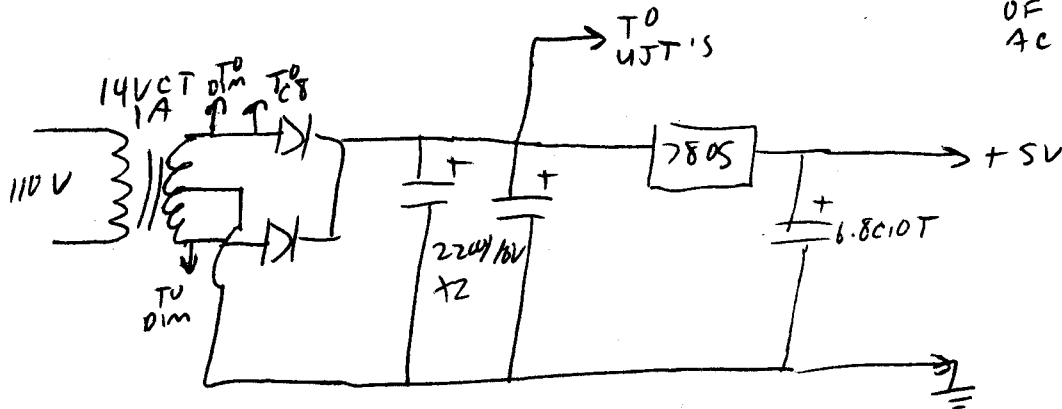
### INPUT SECTION



.01 mFd CAP  
INSTALLED FROM  
PINS 4 TO 7 ON IC1.



### POWER SUPPLY



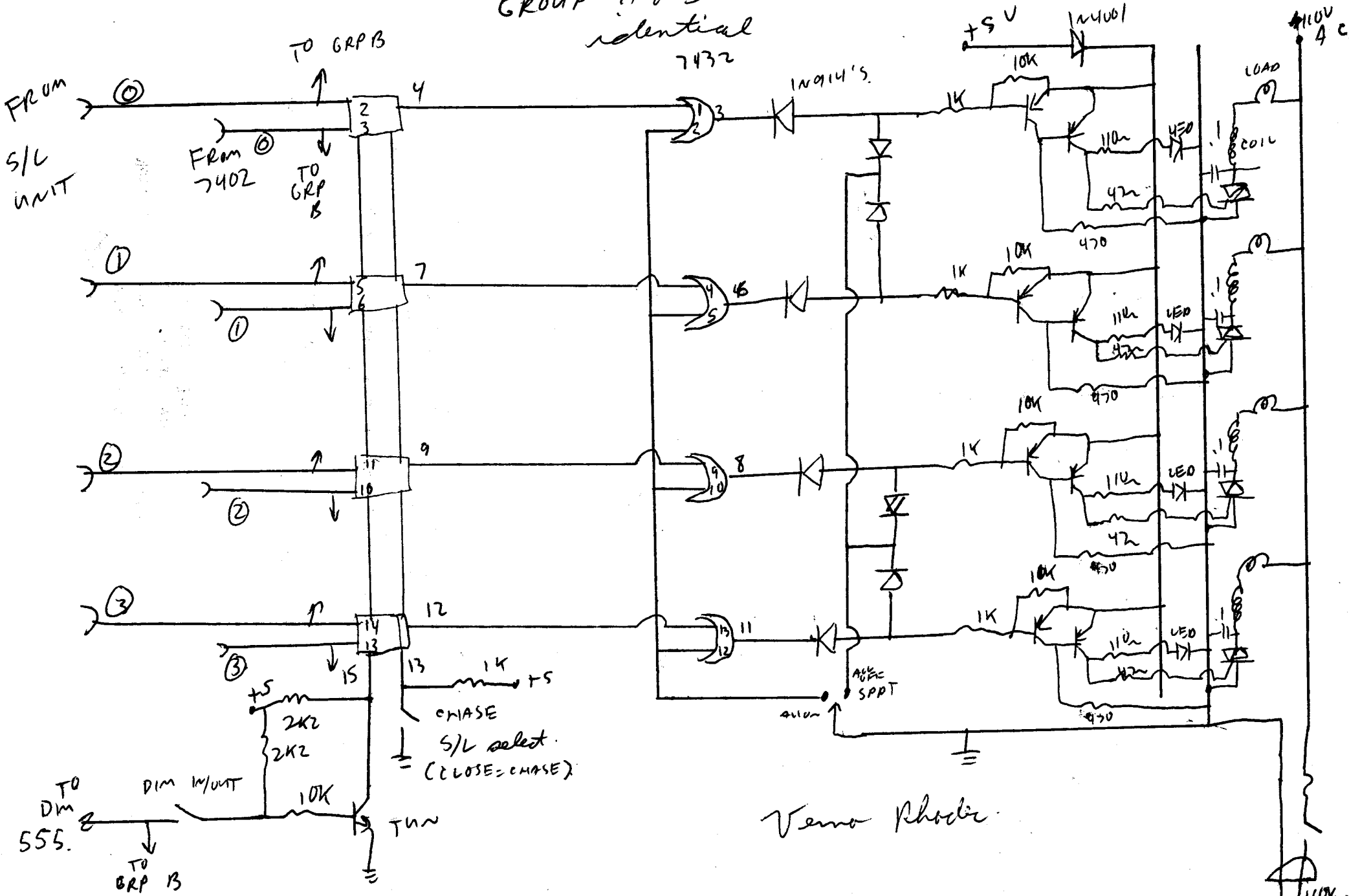
AN OUTPUT FOR SOUND SYNC WAS  
TAKEN OFF FROM PIN 2 OF IC5.6

THE LEADS TO R 21, 25, 29, 43 WAS BROKEN.

- THE DIODE MATRIX THEN FED THE 74157  
AND THE OUTPUT STAGE WAS USED SEPERATELY

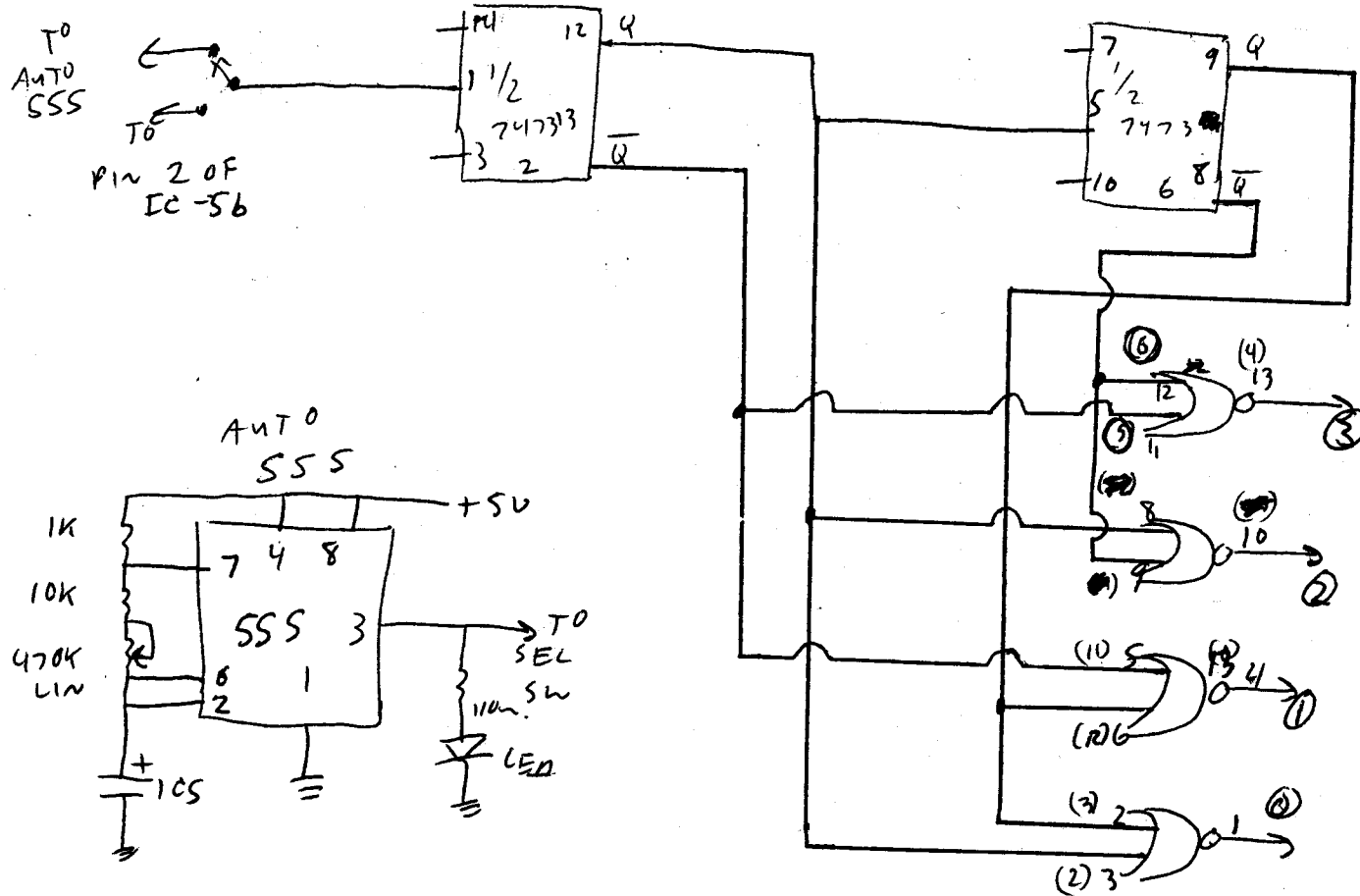
# Effect Select Circuits and output drivers.

GROUP A & B are identical  
7432



Vernon Rhodes

# Chase generator



Note: all grounds are AC ground not chassis ground.

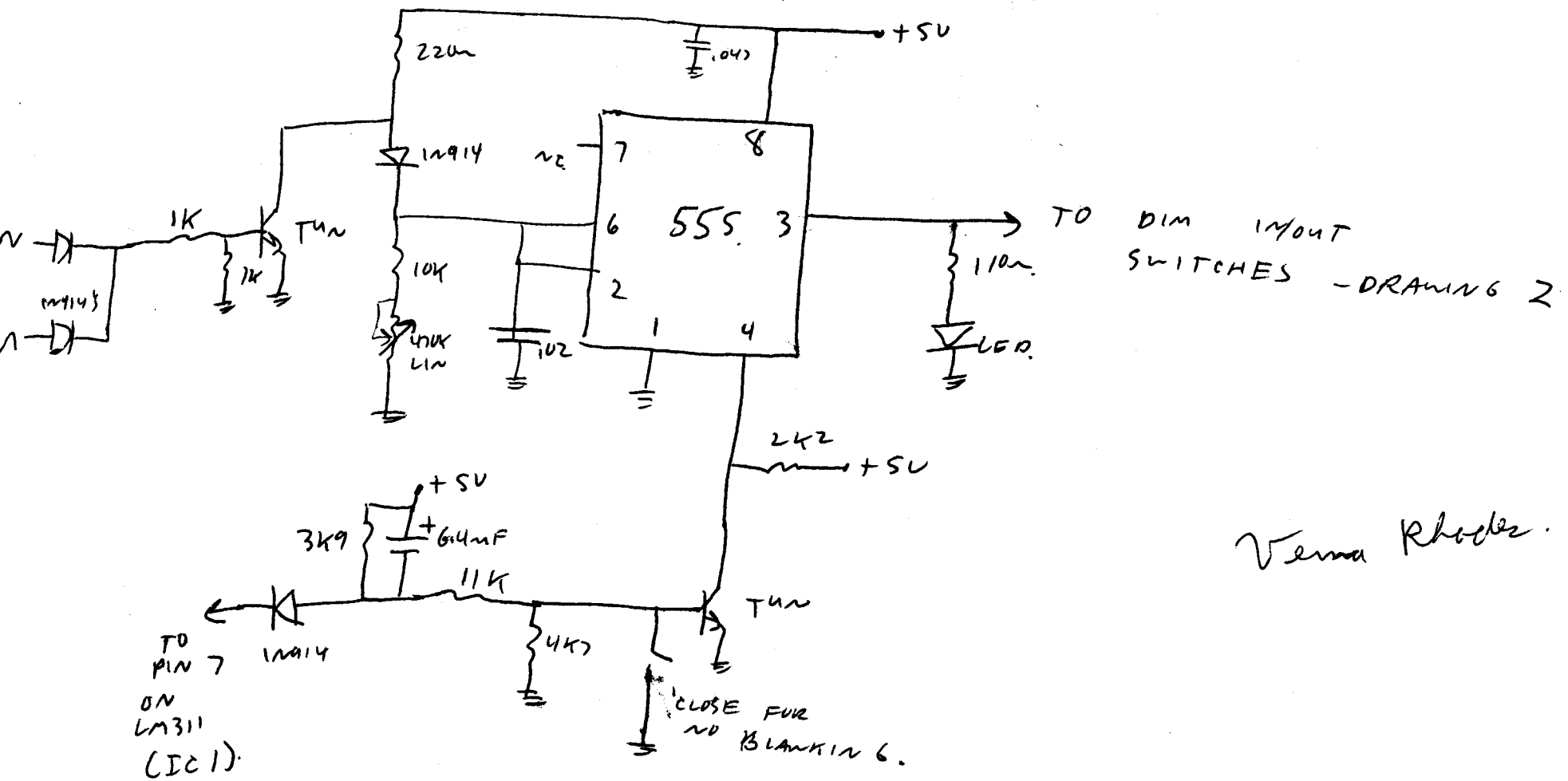
TO  
74157'S  
DRAWING 2.

7402.

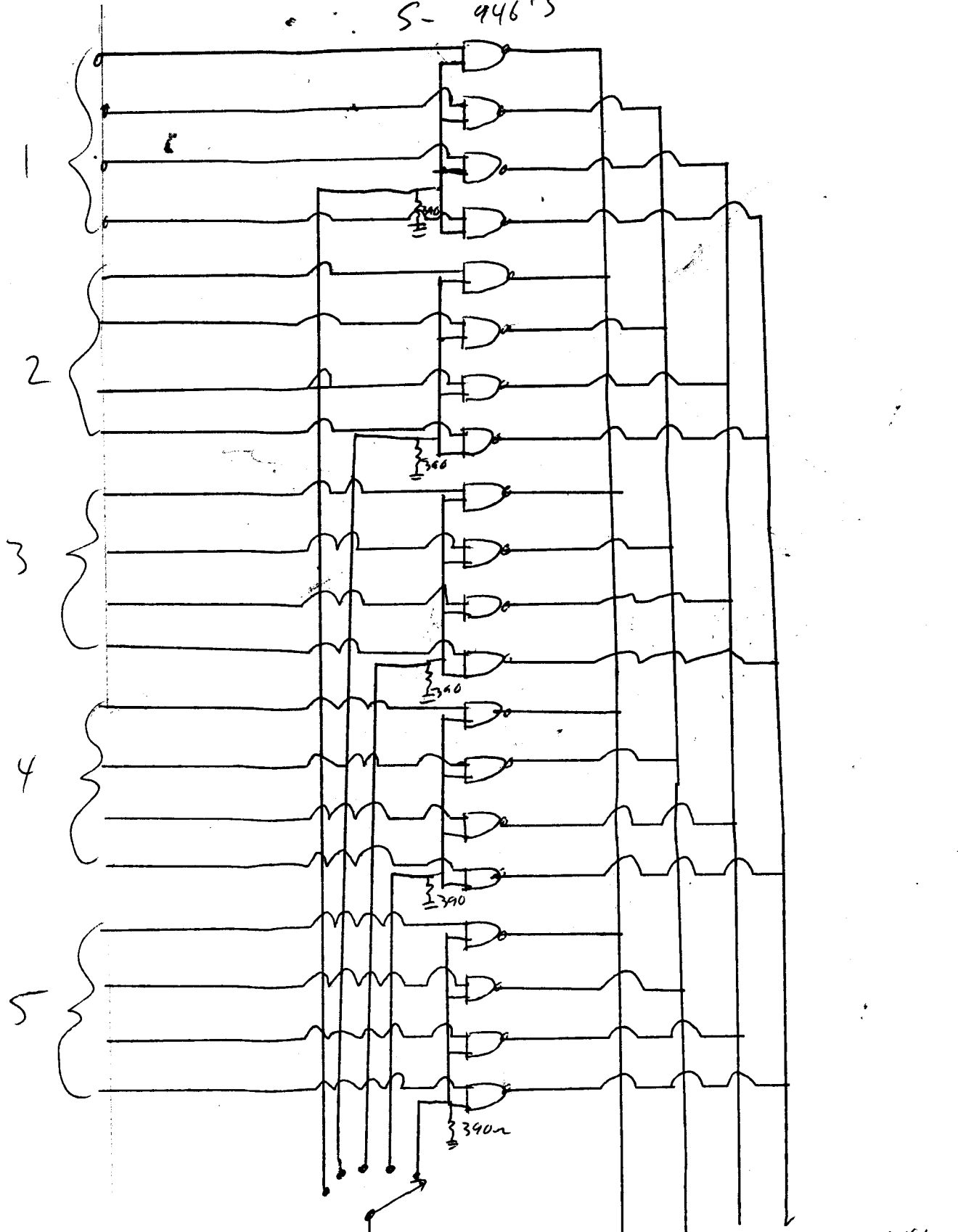
Venna Phoder

f/w

# DIM 555



S- 946'S



EFFECT  
SELECT  
SWITCH

TO  
INVERT CCT

LOW TO LIGHT  
CAMPS

1 - lnd